

---

## F-tone Networks 80km 1550nm SFP+ Optical Transceiver FTCS-151X-80DXX

### Features

- ◆ □
- ◆
- ◆
- ◆
- ◆
- ◆

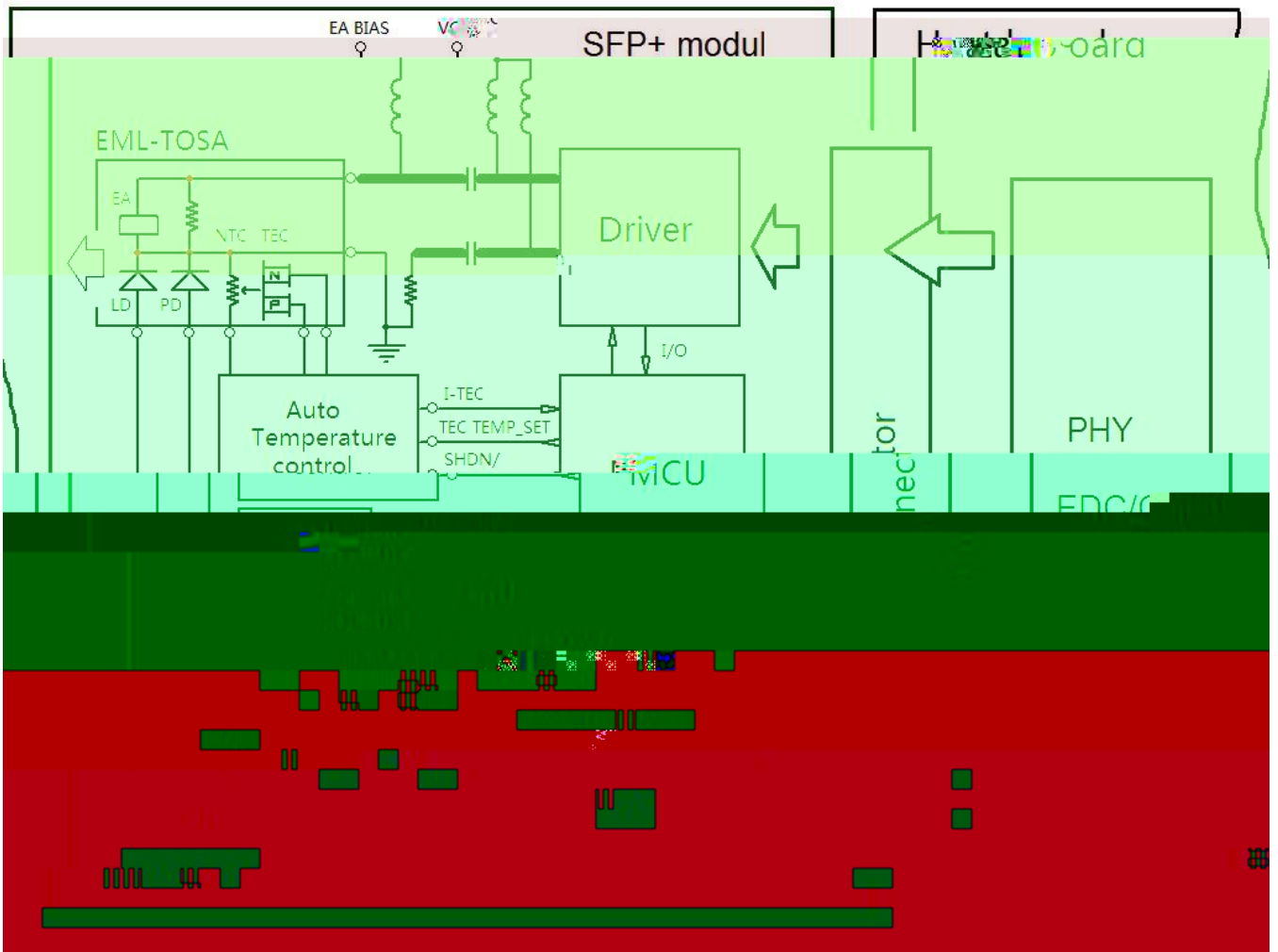


Figure1. Module Block Diagram

### Absolute Maximum Ratings

Parameter	Symbol	Min	Max	Unit

### Operating Conditions

Parameter	Symbol	Min	Typical	Max	Unit





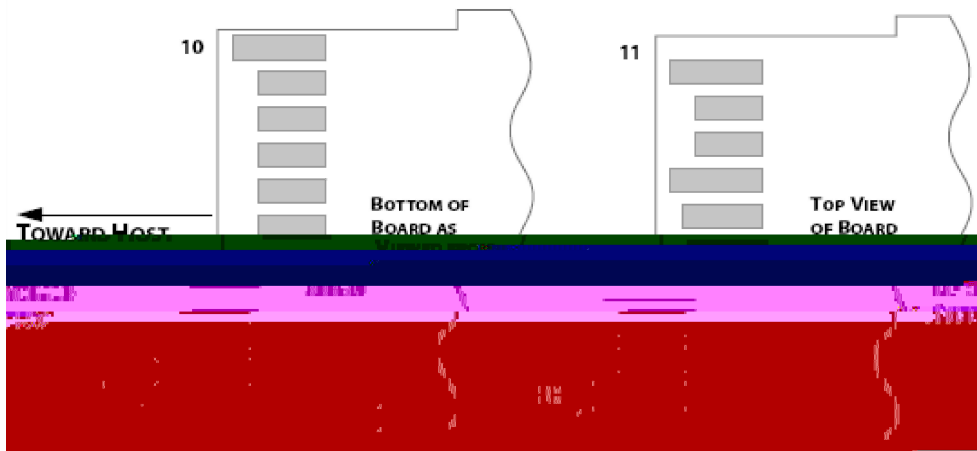
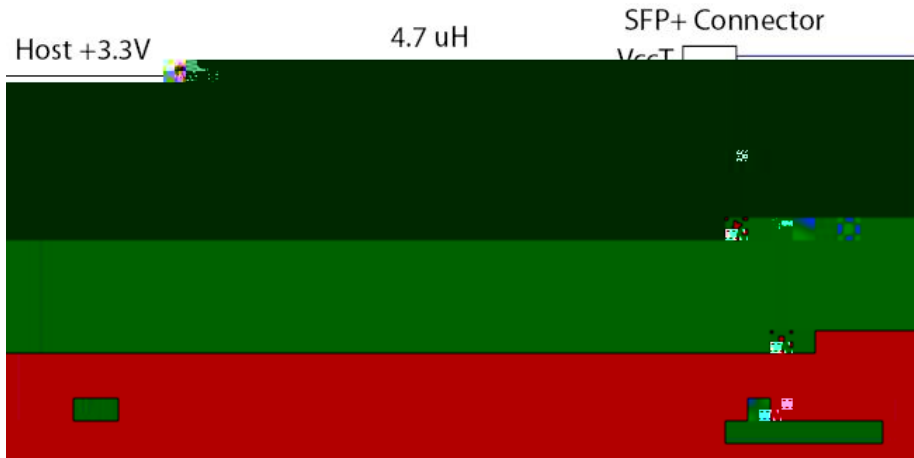


Figure2.Electrical Pin-out Details

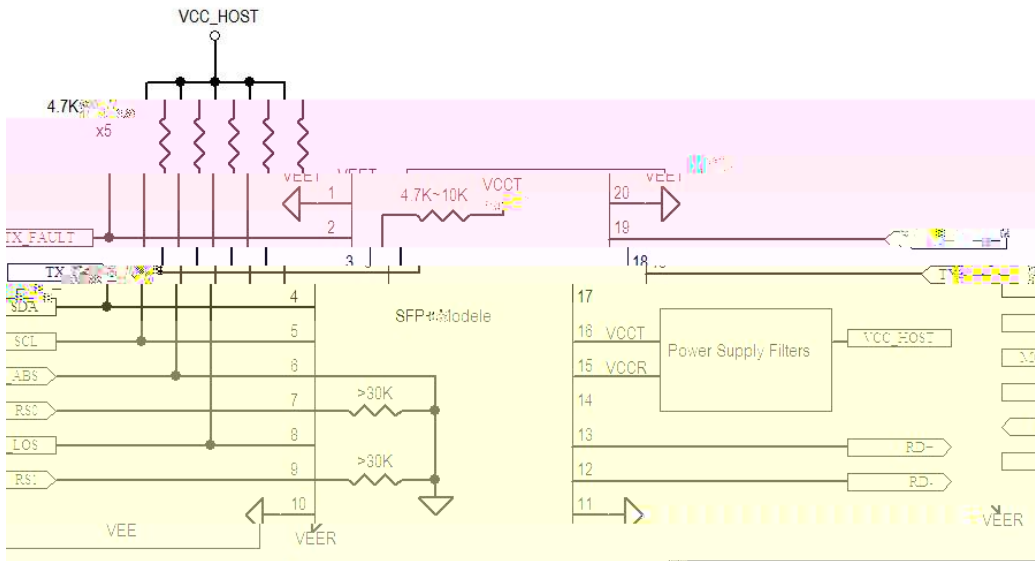
## Pin Descriptions

Notes:

- C
- C
- C
- C
- C



**Figure3. Host Board Power Supply Filters Circuit**



**Figure4. Host-Module Interface**

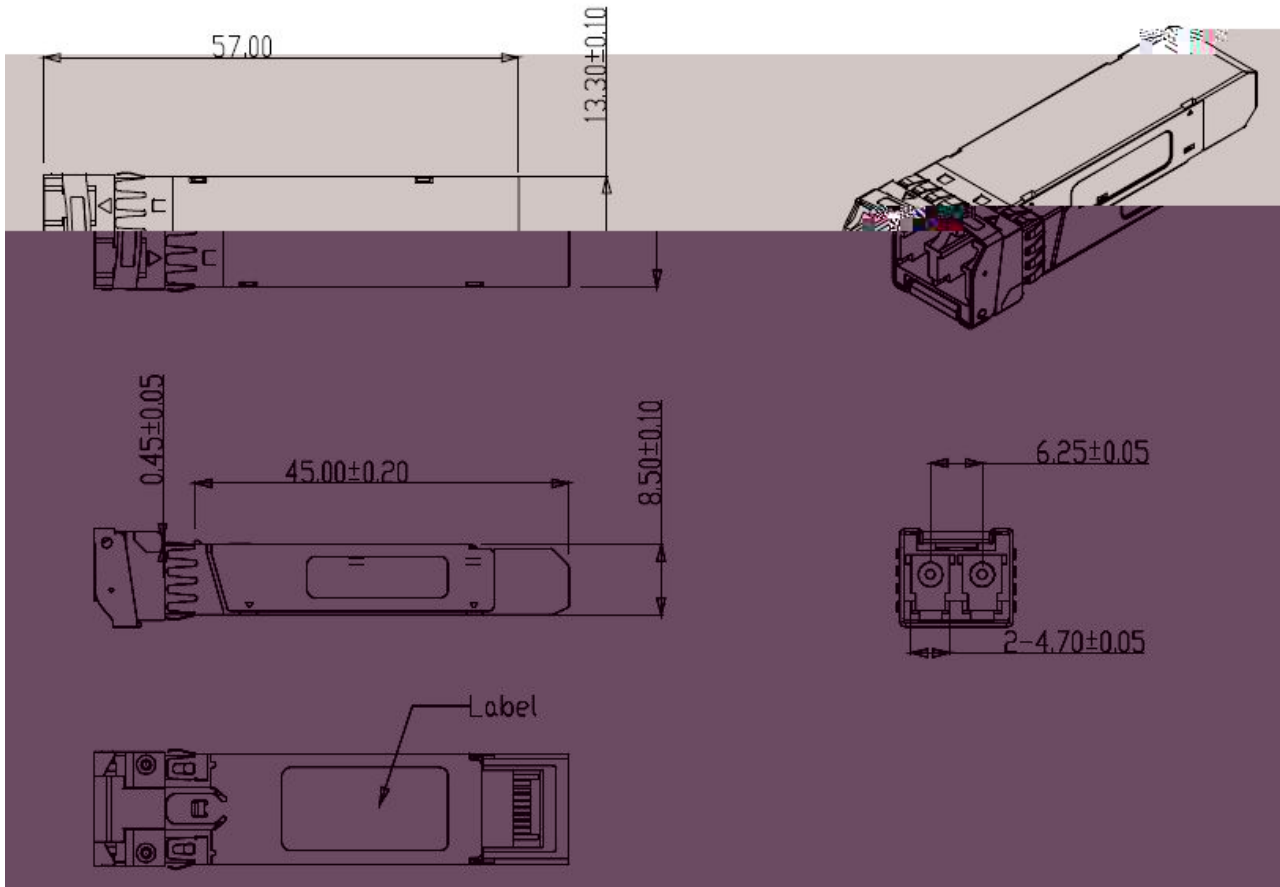


Figure5. Mechanical Specifications

## Regulatory Compliance

Feature	Agency	Standard
		□



## Ordering information

Part Number	Product Description

## References

- 
- 
- 

## Important Notice

- 
- 
-